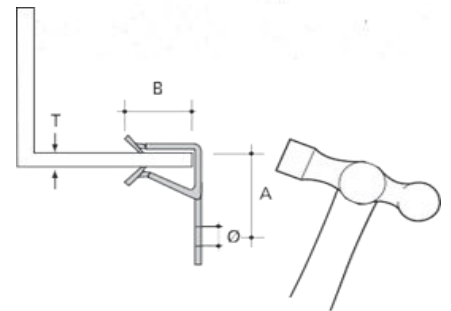
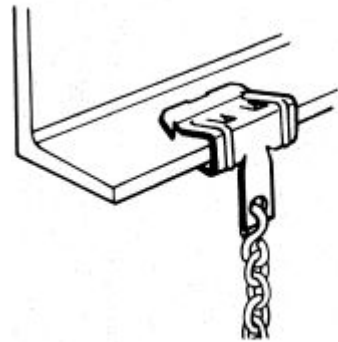


Datasheet

Steel Girder Suspension Clip & Hanger, 8 → 14 mm

RS Stock number [277503](#)



Description

- Chain/Wire Hangers
- Either horizontal flange or vertical flange

Specification

- | | |
|----------------------------|------------|
| • Flange Orientation | Horizontal |
| • Flange Thickness | 8 → 14 mm |
| • Flange Thickness Maximum | 14mm |
| • Flange Thickness Minimum | 8mm |
| • Material | Steel |
| • Maximum Load | 90kg |

Measurements

- | | |
|-----|--------|
| • T | 8-14mm |
| • Ø | 6.5mm |
| • A | 26mm |
| • B | 20.3mm |